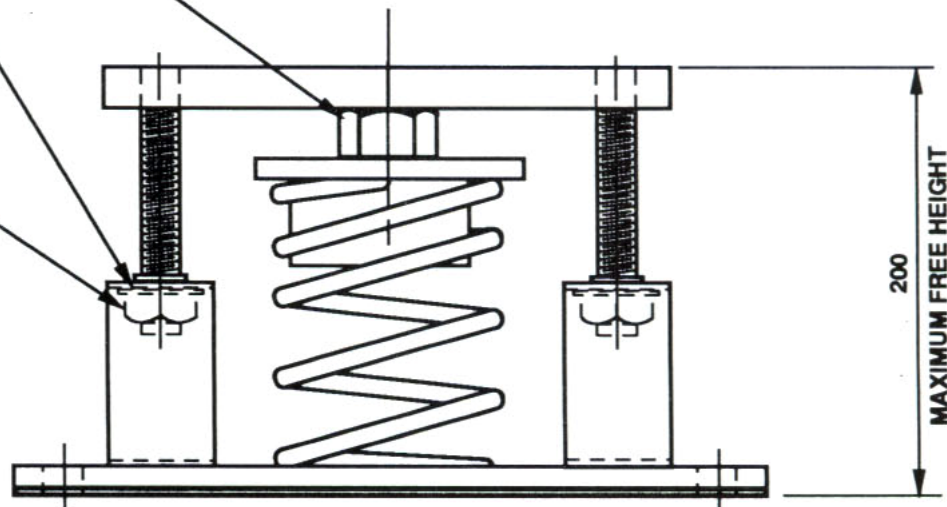


M20 LEVELING BOLT

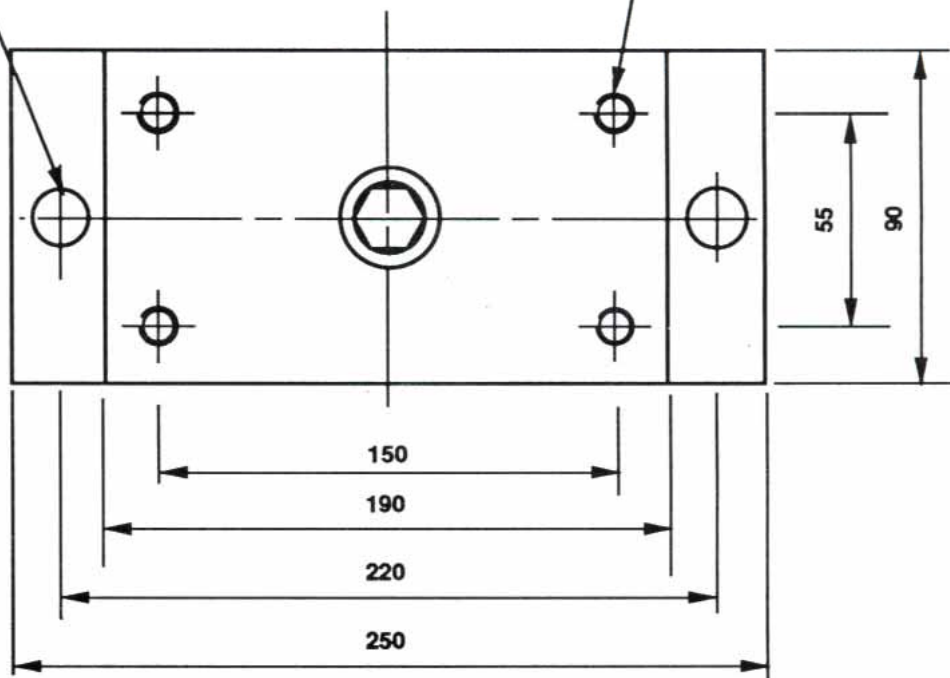
ISOLATION BUSH

RESTRAINT NUTS



14 MM DIA FIXING HOLES

4 OFF M10 EQUIPMENT MOUNTING HOLES (OPTIONAL)



ALL PARTS ZINC PASSIVATED

NOTE: ALL DIMENSIONS IN MM

STANDARD ENGINEERING TOLERANCE: ± 0.1 MM, UNLESS OTHERWISE STATED.

RESEARCH AND DEVELOPMENT IS ONGOING & UNLESS STAMPED CERTIFIED (VALIDITY 3 MO/THS) THIS DATA SHEET IS ONLY CORRECT AT DATE OF ISSUE.



EUROVIB (Acoustic Products) Limited

Goodwood House, 86 Holmethorpe Avenue
Redhill, Surrey RH1 2NL

Telephone: (01737) 779577 Fax: (01737) 779537

THE COPYRIGHT IN THIS DRAWING AND THE RIGHT OF REPRODUCTION
THEREOF IS VESTED IN AND BELONGS TO EUROVIB (ACOUSTIC PRODUCTS) LTD

GENERAL ARRANGEMENT DRAWING
**TYPE RS/1/IL RESTRAINED SPRING
MOUNT 30 MM DEFLECTION
WITH INTERNAL LEVELLING**

Drawing No: **GA/014/493/REV2**

Date: **MAY 1999**

| PRODUCT CODE | WEIGHT RANGE KG. | NOMINAL DEFLECTION mm |
|--------------|------------------|--------------------------|
| RS/1 - 425 | 97 - 194 | 30 |
| RS/1 - 600 | 136 - 273 | 30 |
| RS/1 - 750 | 170 - 341 | 30 |
| RS/1 - 1000 | 227 - 455 | 30 |
| RS/1 - 1400 | 318 - 637 | 30 |
| RS/1 - 1700 | 386 - 773 | 30 |
| RS/1 - 2000 | 455 - 910 | 30 |
| RS/1 - 2400 | 545 - 1091 | 30 |

RESEARCH AND DEVELOPMENT IS ONGOING & UNLESS STAMPED CERTIFIED (VALIDITY 3 MONTHS) THIS DATA SHEET IS ONLY CORRECT AT DATE OF ISSUE.

Website Feature by:

Xtant Designs

www.dv8-web.com