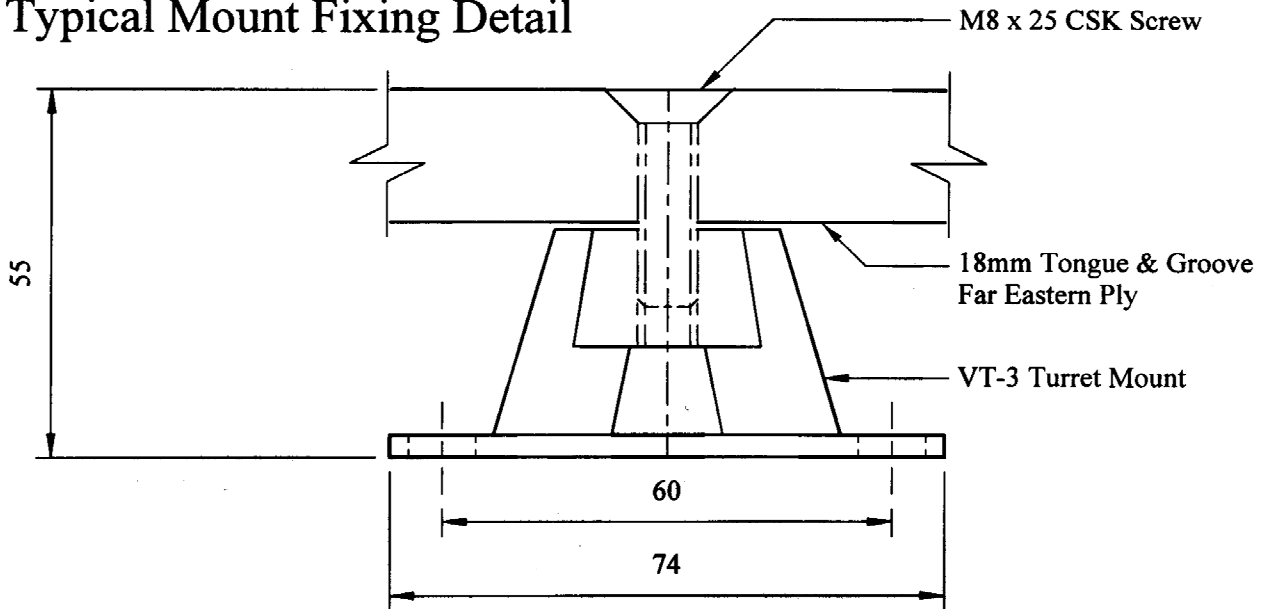
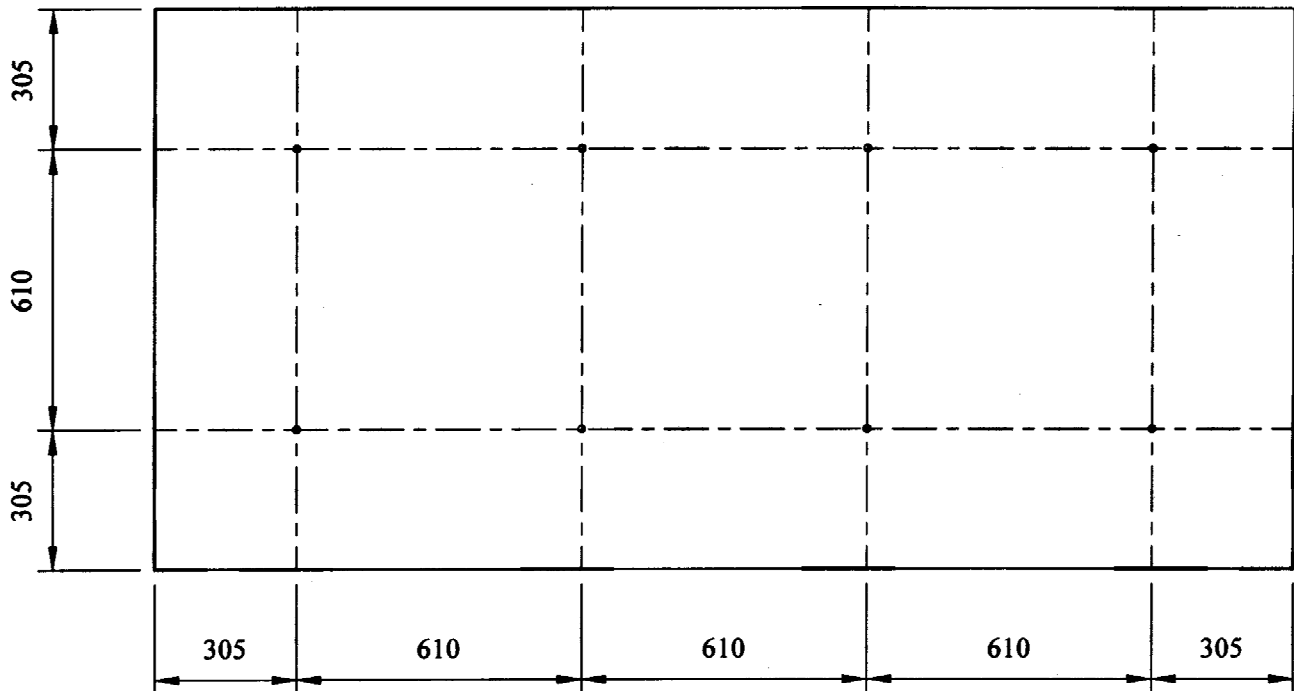


## Typical Mount Fixing Detail



## Typical Mount Fixing Centres



## Standard Load Detail

Colour	Load kg	Fn
Blue	144	7.0 Hz
Yellow	224	7.0 Hz
Green	320	7.0 Hz
White	432	7.0 Hz
Red	576	7.0 Hz

NOTE: ALL DIMENSIONS IN MM  
 STANDARD ENGINEERING TOLERANCE +/- 1MM, UNLESS OTHERWISE STATED  
 RESEARCH & DEVELOPMENT IS ONGOING & UNLESS STAMPED CERTIFIED  
 (VALIDITY 3 MONTHS) THIS DATA SHEET IS ONLY CORRECT AT DATE OF ISSUE



### EUROVIB (Acoustic Products) Limited

Goodwood House, 86 Holmethorpe Avenue, Redhill, Surrey RH1 2NL  
 Telephone: 01737 779577 Facsimile: 01737 779537

THE COPYRIGHT OF THIS DRAWING AND THE RIGHT OF REPRODUCTION  
 THEREOF IS VESTED IN AND BELONGS TO EUROVIB (ACOUSTIC PRODUCTS) LIMITED

GENERAL ARRANGEMENT DRAWING

### FEP 18/VT-3 Floating Floor Isolation System

Drawing No:

GA/032/999/Rev0

Date:

SEPT 1999