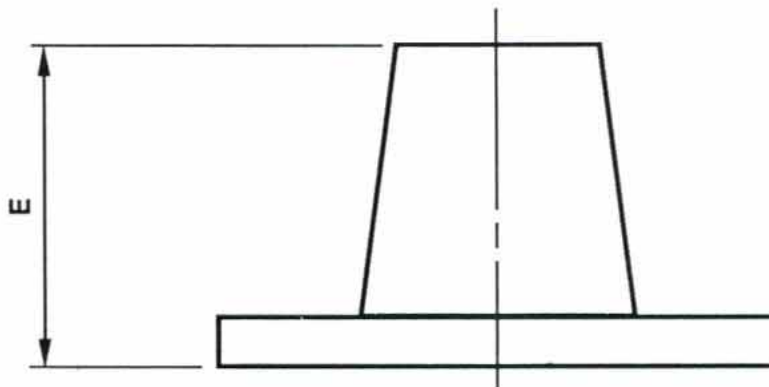
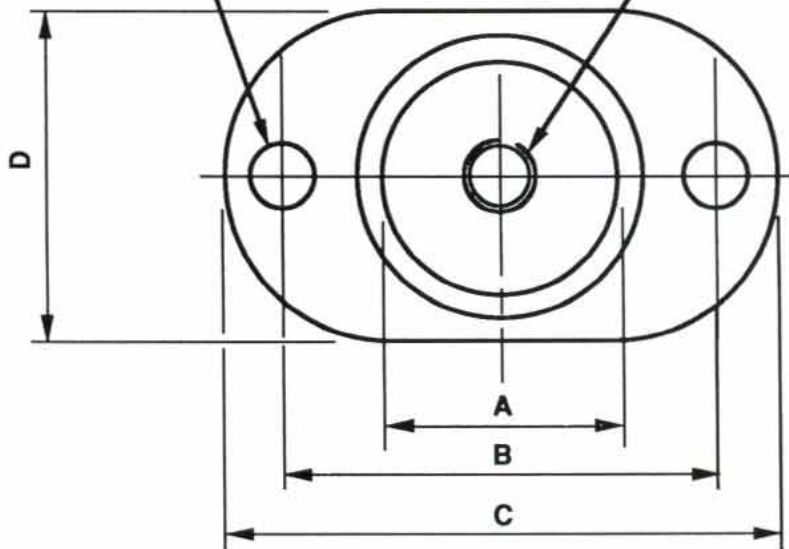


G DIA FIXING HOLES

F TAPPING



DIMENSIONAL DATA							
MOUNT TYPE	A	B	C	D	E	F	G
VT/0	22	50	61	38	18	6	4
VT/1	29	59	74	41	32	8	7
VT/2	43	75	98	61	39	12	11
VT/3	30	60	74	41	37	8	6
VT/4	41	76	98	60	59	12	11

NOTE: ALL DIMENSIONS IN MM

STANDARD ENGINEERING TOLERANCE  $\pm 0.1$ MM, UNLESS OTHERWISE STATED.

RESEARCH AND DEVELOPMENT IS ONGOING & UNLESS STAMPED CERTIFIED (VALIDITY 3 MONTHS) THIS DATA SHEET IS ONLY CORRECT AT DATE OF ISSUE.



**EUROVIB (Acoustic Products) Limited**

Goodwood House, 86 Holmethorpe Avenue  
Redhill, Surrey RH1 2NL

Telephone: (01737) 779577 Fax: (01737) 779537

GENERAL ARRANGEMENT DRAWING

**VT RANGE  
PEDESTAL MOUNTS**

THE COPYRIGHT IN THIS DRAWING AND THE RIGHT OF REPRODUCTION  
THEREOF IS VESTED IN AND BELONGS TO EUROVIB (ACOUSTIC PRODUCTS) LTD

Drawing No: **GA/001/892**

Date: **MAY 1999**

PRODUCT CODE	WEIGHT RANGE	NOMINAL DEFLECTION
VT/0 - BLUE	2.5 to 5.0 Kg.	3.0 mm
VT/0 - YELLOW	4.0 to 8.0 Kg.	3.0 mm
VT/0 - GREEN	7.0 to 14.0 Kg.	3.0 mm
VT/0 - WHITE	9.0 to 18.0 Kg.	3.0 mm
VT/1 - BLUE	9.0 to 18 Kg.	4.0 mm
VT/1 - YELLOW	14 to 28 Kg.	4.0 mm
VT/1 - GREEN	20 to 40 Kg.	4.0 mm
VT/1 - WHITE	27 to 54 Kg.	4.0 mm
VT/1 - RED	36 to 72 Kg.	4.0 mm
VT/2 - BLUE	18 to 60 Kg.	5.0 mm
VT/2 - GREEN	54 to 108 Kg.	5.0 mm
VT/2 - WHITE	90 to 180 Kg.	5.0 mm
VT/2 - RED	135 to 270 Kg.	5.0 mm
VT/2 - BLACK	180 to 360 Kg.	5.0 mm
VT/3 - BLUE	9.0 to 18 Kg.	9.0 mm
VT/3 - YELLOW	14 to 28 Kg.	9.0 mm
VT/3 - GREEN	20 to 40 Kg.	9.0 mm
VT/3 - WHITE	27 to 54 Kg.	9.0 mm
VT/3 - RED	36 to 72 Kg.	9.0 mm
VT/4 - BLUE	18 to 60 Kg.	10.0 mm
VT/4 - GREEN	54 to 108 Kg.	10.0 mm
VT/4 - WHITE	90 to 180 Kg.	10.0 mm
VT/4 - RED	135 to 270 Kg.	10.0 mm
VT/4 - BLACK	180 to 360 Kg.	10.0 mm

RESEARCH AND DEVELOPMENT IS ONGOING & UNLESS STAMPED CERTIFIED (VALIDITY 3 MONTHS) THIS DATA SHEET IS ONLY CORRECT AT DATE OF ISSUE.

Website Feature by:

**Xtant Designs**

www.dv8-web.com