

LEVELLING BOLT

RUBBER ISOLATION BUSH

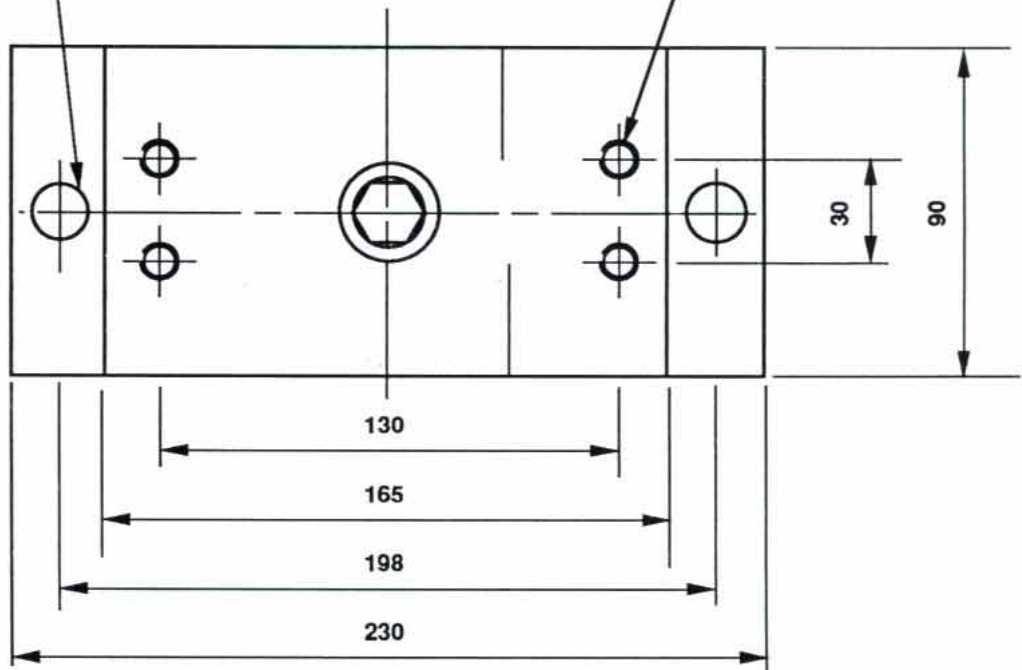
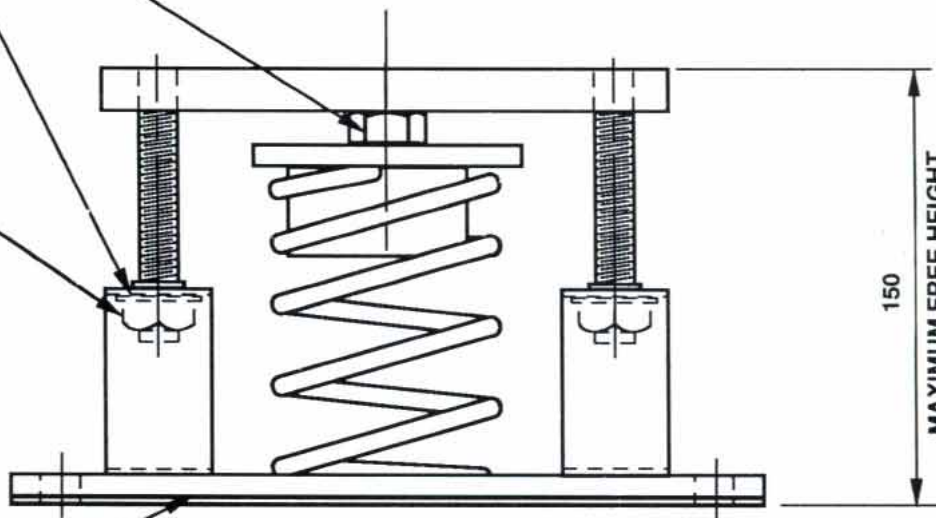
RESTRAINT NUTS

BASEPLATE WITH SOUND INSULATING PAD

14 MM DIA FIXING HOLES

4 OFF M10 EQUIPMENT MOUNTING HOLES (OPTIONAL)

150
MAXIMUM FREE HEIGHT



ALL PARTS ZINC PASSIVATED

NOTE: ALL DIMENSIONS IN MM

STANDARD ENGINEERING TOLERANCE ± 1 MM, UNLESS OTHERWISE STATED.

RESEARCH AND DEVELOPMENT IS ONGOING & UNLESS STAMPED CERTIFIED (VALIDITY 3 MONTHS) THIS DATA SHEET IS ONLY CORRECT AT DATE OF ISSUE.



EUROVIB (Acoustic Products) Limited

Goodwood House, 86 Holmethorpe Avenue
Redhill, Surrey RH1 2NL
Telephone: (01737) 779577 Fax: (01737) 779537

THE COPYRIGHT IN THIS DRAWING AND THE RIGHT OF REPRODUCTION THEREOF IS VESTED IN AND BELONGS TO EUROVIB (ACOUSTIC PRODUCTS) LTD

GENERAL ARRANGEMENT DRAWING
**TYPE RS/O/IL RESTRAINED SPRING
MOUNT 30 MM DEFLECTION
WITH INTERNAL LEVELLING**

Drawing No: **GA/012/892/REV1**

Date: **MAY 1999**

PAGE LEFT INTENTIONALLY BLANK

Website Feature by:

Xtant Designs

www.dv8-web.com