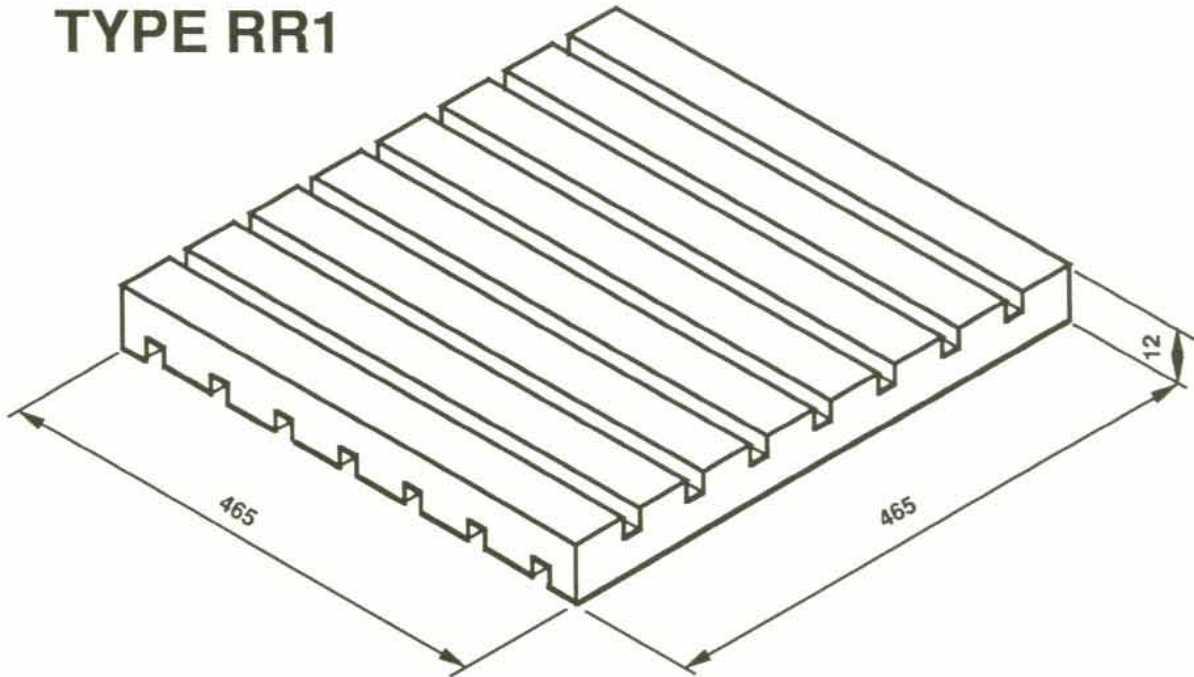
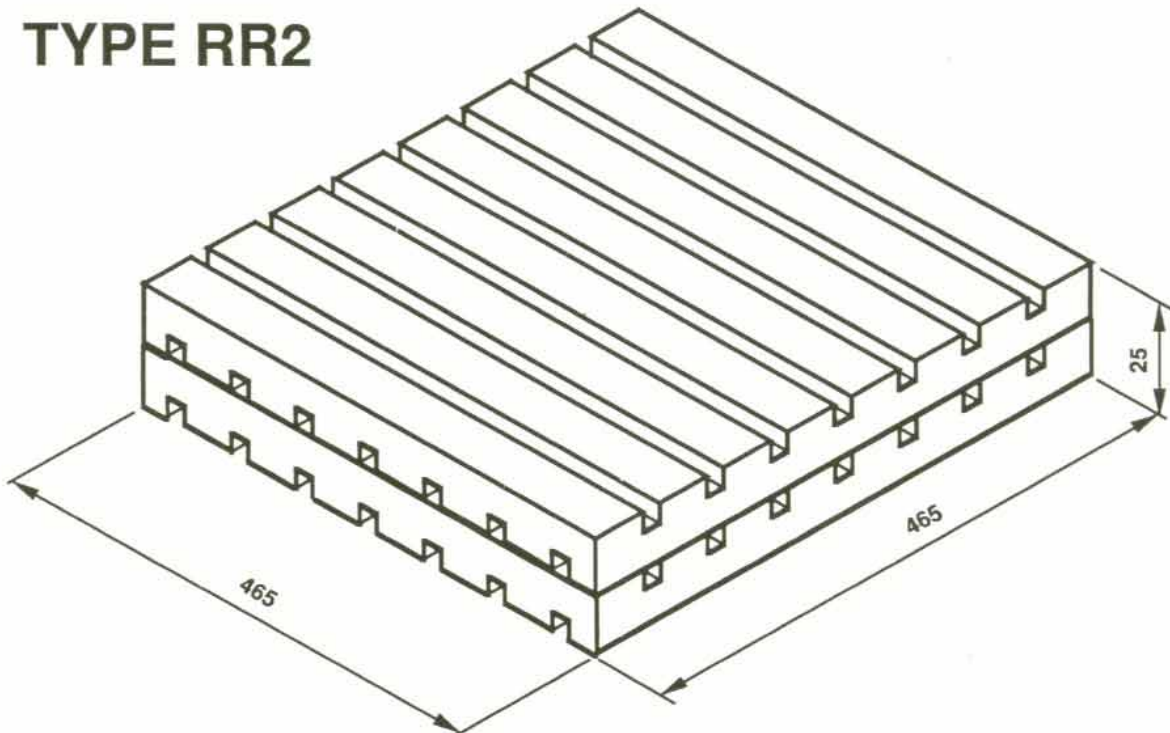


## TYPE RR1



## TYPE RR2



NOTE: ALL DIMENSIONS IN MM

STANDARD ENGINEERING TOLERANCE  $\pm 1$ MM, UNLESS OTHERWISE STATED.

RESEARCH AND DEVELOPMENT IS ONGOING & UNLESS STAMPED CERTIFIED (VALIDITY 3 MONTHS) THIS DATA SHEET IS ONLY CORRECT AT DATE OF ISSUE.



### EUROVIB (Acoustic Products) Limited

Goodwood House, 86 Holmethorpe Avenue  
Redhill, Surrey RH1 2NL  
Telephone: (01737) 779577 Fax: (01737) 779537

THE COPYRIGHT IN THIS DRAWING AND THE RIGHT OF REPRODUCTION  
THEREOF IS VESTED IN AND BELONGS TO EUROVIB (ACOUSTIC PRODUCTS) LTD

GENERAL ARRANGEMENT DRAWING

### RIBBED ISOLATION PADS

Drawing No: **GA/002/892**

Date: **FEB 1996**

PRODUCT CODE	WEIGHT RANGE	NOMINAL DEFLECTION
RR1 - BLUE	2.0 to 4.0 Kg/cm <sup>2</sup>	2.0 mm
RR1 - YELLOW * EX. STOCK	3.0 to 6.0 Kg/cm <sup>2</sup>	2.0 mm
RR1 - GREEN	4.5 to 9.0 Kg/cm <sup>2</sup>	2.0 mm
RR1 - WHITE	6.0 to 12.0 Kg/cm <sup>2</sup>	2.0 mm
RR2 - BLUE	2.0 to 4.0 Kg/cm <sup>2</sup>	4.0 mm
RR2 - YELLOW * EX. STOCK	3.0 to 6.0 Kg/cm <sup>2</sup>	4.0 mm
RR2 - GREEN	4.5 to 9.0 Kg/cm <sup>2</sup>	4.0 mm
RR2 - WHITE	6.0 to 12.0 Kg/cm <sup>2</sup>	4.0 mm

RESEARCH AND DEVELOPMENT IS ONGOING & UNLESS STAMPED CERTIFIED (VALIDITY 3 MONTHS) THIS DATA SHEET IS ONLY CORRECT AT DATE OF ISSUE.

Website Feature by:

**Xtant Designs**

www.dv8-web.com