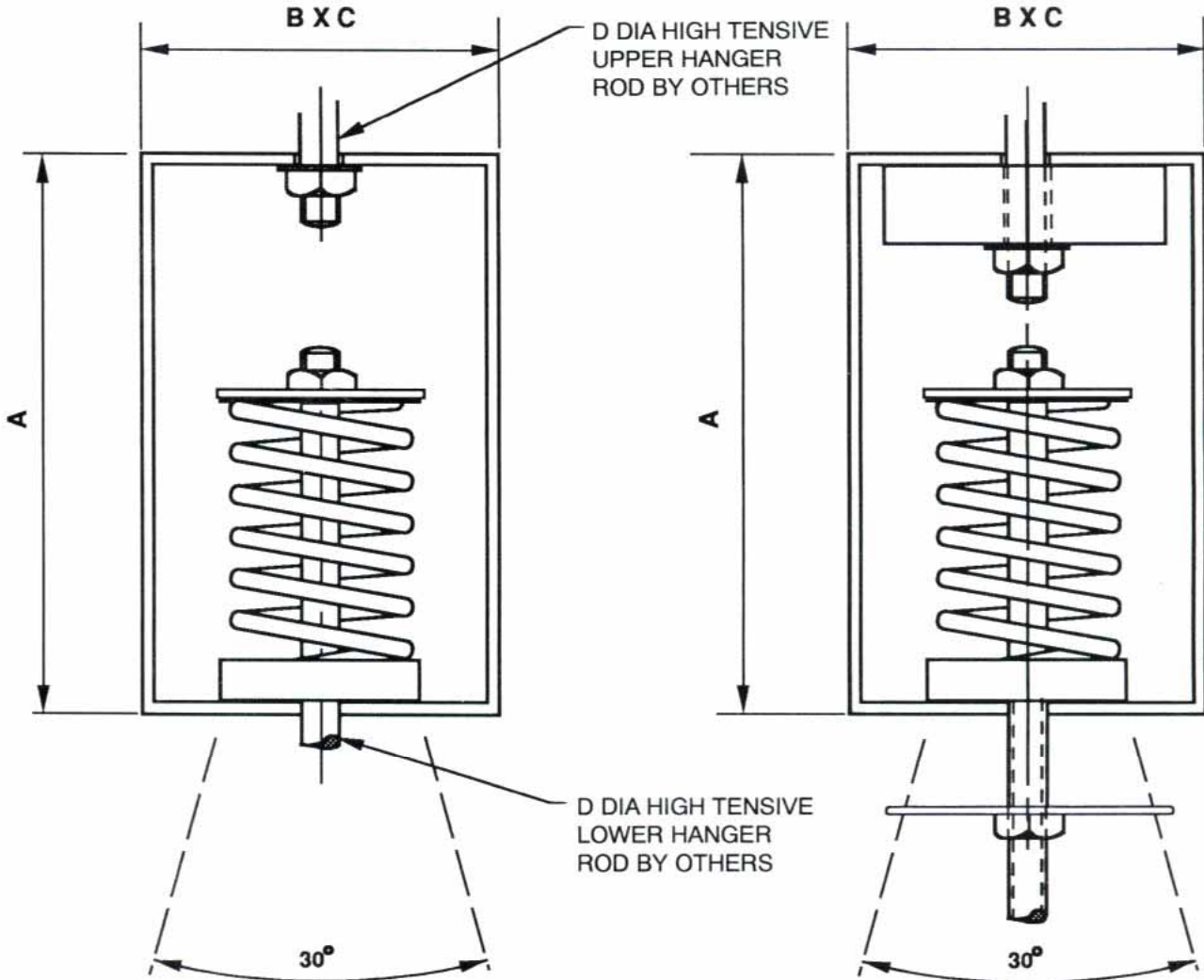


**TYPE:  
HOS/0/30 & HOS/1/30**

**TYPE:  
HOS/0/R/30 & HOS/1/R/30**



DIMENSIONAL DATA				
TYPE	A	B	C	D
HOS/0	150	100	80	M12
HOS/1	250	150	100	M16

Exceptionally M16

Exceptionally M20

NOTE: ALL DIMENSIONS IN MM

STANDARD ENGINEERING TOLERANCE  $\pm 1$ MM, UNLESS OTHERWISE STATED.

RESEARCH AND DEVELOPMENT IS ONGOING & UNLESS STAMPED CERTIFIED (VALIDITY 3 MONTHS) THIS DATA SHEET IS ONLY CORRECT AT DATE OF ISSUE.



**EUROVIB (Acoustic Products) Limited**

Goodwood House, 86 Holmethorpe Avenue  
Redhill, Surrey RH1 2NL

Telephone: (01737) 779577 Fax: (01737) 779537

GENERAL ARRANGEMENT DRAWING

**TYPE HOS  
CEILING HANGERS**

THE COPYRIGHT IN THIS DRAWING AND THE RIGHT OF REPRODUCTION  
THEREOF IS VESTED IN AND BELONGS TO EUROVIB (ACOUSTIC PRODUCTS) LTD

Drawing No: **GA/010/892**

Date: **FEB 1996**

PRODUCT CODE	WEIGHT RANGE KG.	NOMINAL DEFLECTION mm
HOS/0 - 50	11 - 23	30
HOS/0 - 80	18 - 37	30
HOS/0 - 130	30 - 60	30
HOS/0 - 200	45 - 91	30
HOS/0 - 300	68 - 137	30
HOS/0 - 500	114 - 228	30
HOS/0 - 630	143 - 287	30
HOS/0 - 800	182 - 364	30
HOS/0 - 1100	250 - 500	30
HOS/1 - 425	97 - 194	30
HOS/1 - 600	136 - 273	30
HOS/1 - 750	170 - 341	30
HOS/1 - 1000	227 - 455	30
HOS/1 - 1400	318 - 637	30
HOS/1 - 1700	386 - 773	30
HOS/1 - 2000	455 - 910	30
HOS/1 - 2400	545 - 1091	30

RESEARCH AND DEVELOPMENT IS ONGOING & UNLESS STAMPED CERTIFIED (VALIDITY 3 MONTHS) THIS DATA SHEET IS ONLY CORRECT AT DATE OF ISSUE.

Website Feature by:

**Xtant Designs**

[www.dv8-web.com](http://www.dv8-web.com)