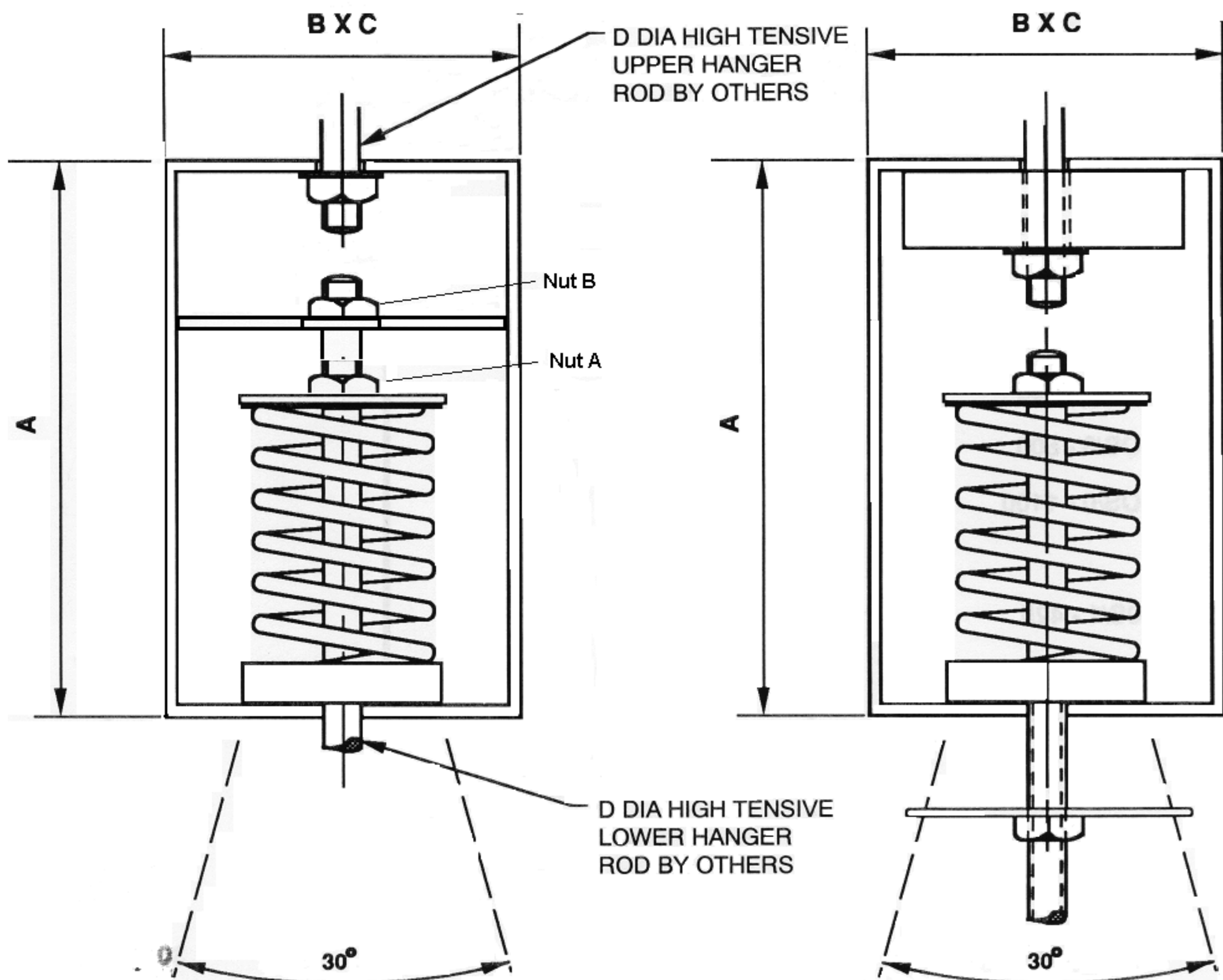


TYPE:
HOS/0/30 & HOS/1/30
P SUFFIX

TYPE:
HOS/0/R/30 & HOS/1/R/30



DIMENSIONAL DATA				
TYPE	A	B	C	D
HOS/0	200	100	80	M12
HOS/1	250	150	100	M16

Exceptionally M16

Exceptionally M20

NOTE: ALL DIMENSIONS IN MM

STANDARD ENGINEERING TOLERANCE ± 1 MM, UNLESS OTHERWISE STATED.

RESEARCH AND DEVELOPMENT IS ONGOING & UNLESS STAMPED CERTIFIED (VALIDITY 3 MONTHS) THIS DATA SHEET IS ONLY CORRECT AT DATE OF ISSUE.

EUROVIB (Acoustic Products) Limited

Goodwood House, 86 Holmethorpe Avenue
 Redhill, Surrey RH1 2NL

Telephone: (01737) 779577 Fax: (01737) 779537

GENERAL ARRANGEMENT DRAWING

TYPE HOS
CEILING HANGERS

THE COPYRIGHT IN THIS DRAWING AND THE RIGHT OF REPRODUCTION
 THEREOF IS VESTED IN AND BELONGS TO EUROVIB (ACOUSTIC PRODUCTS) LTD

Drawing No: **GA/010/892**

Date: **FEB 1996**